

# WHY CHOOSE REFRIGERATION BALL VALVES & FLARE FITTINGS

**HVAC-R  
Industrial  
Tough**



## FEATURES & BENEFITS

Premium-performance Refrigeration Ball Valves, specifically designed for use in industrial and commercial refrigeration systems; tailored to VRF systems and suitable for any HVAC-R industry system.

- **Strict manufacturing process** - Valves are manufactured using alloy with a silver percentage between 34 and 40%
- **Rigorous testing** - Each valve is tested 1.34 times higher than the nominal pressure
- **Highly efficient** in HVAC-R industry
- **Certified materials only**
- Seats are made of Nylon reinforced with carbon graphite
- **Guaranteed quality seal** - Check valve shutters are made of HNBR material
- Convenient access port
- Copper stubs for brazing or press fittings

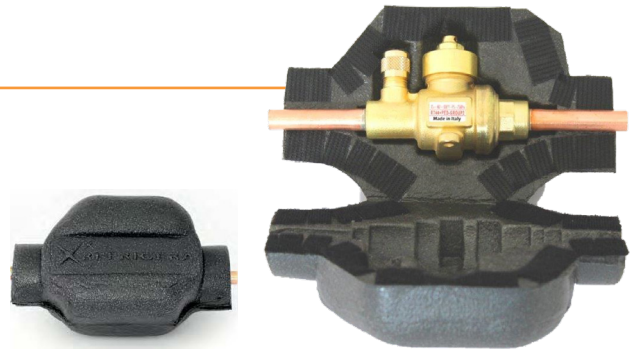
**Premium  
Raw Materials  
& Quality**

**MADE IN ITALY  
In Compliance with the  
Highest Industry Standards**

Tested in Italy.  
Product certifications available upon request.

## CUSTOM-FITTED INSULATION COVERS AVAILABLE FOR ALL VALVES

- Insulation material - Crosslinked, closed cellular polyolefin foam
- Insulation closures - Velcro strips
- Insulation density - 30 Kg/m<sup>3</sup> (ASTM D1622)
- Flammability - UL 94 class HF-1
- Water absorption (24hrs) - <1% (vol)
- Thermal conductivity at 32F - 0.0345 w/Mk
- Thermal conductivity at 104F - 0.0398 w/MK
- UV resistance - ISO11507:2007 (no change of physical surface after 1,000 hours of exposure to artificial weathering including fluorescent UV/B lamps and condensation)

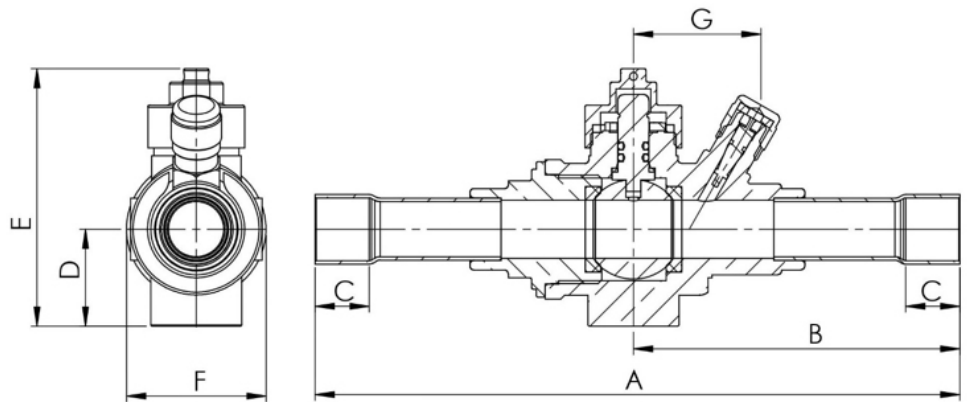


Part Number	Body Size
REF-INSUL-A	1/4" - 3/8" - 1/2"
REF-INSUL-B	5/8" - 3/4"
REF-INSUL-E	7/8"
REF-INSUL-D	1-1/8"
REF-INSUL-F	1-3/8"

# WHY CHOOSE 2 WAY BALL VALVE ODS X ODS CONNECTIONS

## 2 WAY BALL VALVE WITH SCHRADER PORT - ODS X ODS CONNECTIONS

Part Number	Ø	Sphere Passage	PS (PSI)	TS (F)	Kv	Optional Insulation Cover
REF-14-SODS	1/4"	3/8"	754	-40 +302	1.1	REF-INSUL-A
REF-38-SODS	3/8"	3/8"	754	-40 +302	3.5	REF-INSUL-A
REF-12-SODS	1/2"	3/8"	754	-40 +302	6.7	REF-INSUL-A
REF-58-SODS	5/8"	5/8"	754	-40 +302	14.8	REF-INSUL-B
REF-34-SODS	3/4"	5/8"	754	-40 +302	16.9	REF-INSUL-B
REF-78-SODS	7/8"	3/4"	754	-40 +302	29.3	REF-INSUL-E
REF-118-SODS	1 1/8"	1"	754	-40 +302	55.1	REF-INSUL-D
REF-138-SODS	1 3/8"	1.25"	754	-40 +302	114.7	RED-INSUL-F



## 2 WAY BALL VALVE WITH SCHRADER PORT - ODS X ODS CONNECTIONS | DIMENSIONS

Part Number	Size	A	B	C	D	E	F	G
REF-14-SODS	1/4"	5"	2.54"	0.27"	0.75"	2.28"	1.22"	0.96"
REF-38-SODS	3/8"	5.20"	2.64"	0.35"	0.75"	2.28"	1.22"	0.96"
REF-12-SODS	1/2"	5.55"	2.81"	0.47"	0.75"	2.28"	1.22"	0.96"
REF-58-SODS	5/8"	6.55"	3.32"	0.55"	0.98"	2.62"	1.42"	1.30"
REF-34-SODS	3/4"	6.47"	3.28"	0.55"	0.98"	2.62"	1.42"	1.30"
REF-78-SODS	7/8"	8.17"	4.17"	0.70"	1.18"	3.29"	1.85"	1.48"
REF-118-SODS	1 1/8"	8.49"	4.41"	0.79"	1.30"	3.50"	2.16"	1.54"
REF-138-SODS	1 3/8"	8.20"	4.47"	0.85"	1.50"	3.75"	2.60"	2.15"

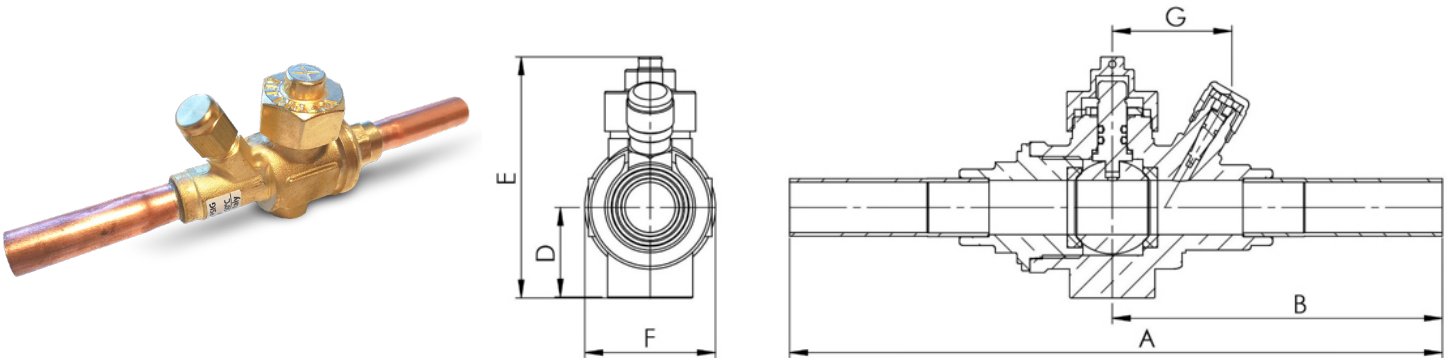
Tested in Italy.

Product certifications available upon request.

# 2 WAY BALL VALVE - STRAIGHT COPPER TUBE FOR PRESS FITTINGS

## 2 WAY BALL VALVE WITH SCHRADER PORT - STRAIGHT COPPER TUBE FOR PRESS FITTINGS

Part Number	Ø	Sphere Passage	PS (PSI)	TS (F)	Kv	Optional Insulation Cover
REF-14-WFS	1/4"	3/8"	754	-40 +302	1.1	REF-INSUL-A
REF-38-WFS	3/8"	3/8"	754	-40 +302	3.5	REF-INSUL-A
REF-12-WFS	1/2"	3/8"	754	-40 +302	6.7	REF-INSUL-A
REF-58-WFS	5/8"	5/8"	754	-40 +302	14.8	REF-INSUL-B
REF-34-WFS	3/4"	5/8"	754	-40 +302	16.9	REF-INSUL-B
REF-78-WFS	7/8"	3/4"	754	-40 +302	29.3	REF-INSUL-E
REF-118-WFS	1 1/8"	1"	754	-40 +302	55.1	REF-INSUL-D
REF-138-WFS	1 3/8"	1.25"	754	-40 +302	114.7	REF-INSUL-F



## 2 WAY BALL VALVE WITH SCHRADER PORT - STRAIGHT COPPER TUBE FOR PRESS FITTINGS | DIMENSIONS

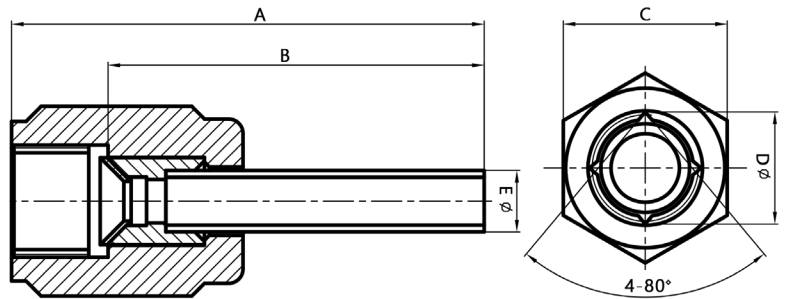
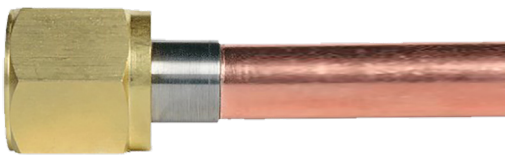
Part Number	Size	A	B	C	D	E	F	G
REF-14-WFS	1/4"	6.14"	3.11"	0.75"	2.28"	1.22"	0.96"	0.96"
REF-38-WFS	3/8"	6.34"	3.21"	0.75"	2.28"	1.22"	0.96"	0.96"
REF-12-WFS	1/2"	6.65"	3.37"	0.75"	2.28"	1.22"	0.96"	0.96"
REF-58-WFS	5/8"	7.08"	3.58"	0.98"	2.62"	1.42"	1.29"	1.30"
REF-34-WFS	3/4"	7.08"	3.58"	0.98"	2.62"	1.42"	1.29"	1.30"
REF-78-WFS	7/8"	8.17"	4.17"	1.18"	3.29"	1.85"	1.48"	1.48"
REF-118-WFS	1 1/8"	8.5"	4.41"	1.3"	3.35"	2.16"	1.47"	1.54"
REF-138-WFS	1 3/8"	10.71"	4.98"	1.5"	3.75"	2.6"	2.15"	2.15"

Tested in Italy.

Product certifications available upon request.

**SUBMITTAL DATA SHEET | BALL VALVES, MAXFLARE FITTINGS, & INSULATION**

<b>Job Name</b>	<b>Location</b>		
<b>Purchaser</b>	<b>Engineer</b>		
<b>Submitted To</b>	<b>Reference</b>	<b>Approval</b>	<b>Construction</b>
<b>Submitted By</b>	<input type="checkbox"/>	<input type="checkbox"/>	<input type="checkbox"/>
<b>Unit Designation</b>	<b>Schedule</b>		
<b>Construction</b>	<b>Date</b>		



**MAXFLARE - FITTINGS FOR PRESS CONNECTIONS**

Part Number	Connection	
	SAE Flare	ODF
MF-14	1/4"	1/4"
MF-38	3/8"	3/8"
MF-12	1/2"	1/2"
MF-58	5/8"	5/8"
MF-34	3/4"	3/4"
MF-78	7/8"	7/8"

**MAXFLARE FEATURES & BENEFITS**

- Specifically designed to **reduce refrigerant leaks**
- **Prevents deformation and cracking** with stainless-steel core
- **Saves time and money** on maintenance and installation
- **Easy cleaning and brazing**

**MAXFLARE - FITTINGS FOR PRESS CONNECTIONS | DIMENSIONS & TORQUE**

Part Number	NPS	A	B	C	D	E	STD Torque	MAX Torque
MF-14	1/4"	3.82"	3.50"	0.67"	0.46"	1/4"	12 NM/106 IN-LB	20 NM/177 IN-LB
MF-38	3/8"	3.89"	3.50"	0.87"	0.64"	3/8"	26 NM/230 IN-LB	30 NM/266 IN-LB
MF-12	1/2"	3.97"	3.50"	0.95"	0.77"	1/2"	47 NM/416 IN-LB	60 NM/531 IN-LB
MF-58	5/8"	4.09"	3.50"	1.06"	0.89"	5/8"	48 NM/425 IN-LB	100 NM/886 IN-LB
MF-34	3/4"	3.89"	3.50"	1.26"	1.08"	3/4"	78 NM/690 IN-LB	200 NM/1772 IN-LB
MF-78	7/8"	3.89"	3.50"	1.50"	1.28"	7/8"	85 NM/750 IN-LB	220 NM/1949 IN-LB